



DOSA Standard Specification

Product Name: Second Generation, High Density, Non-Isolated 4.5-14V_{in}, 12A DC/DC Converter

Last Updated: May 4, 2007

General Specifications

Parameter	Specification	Notes
Input Voltage Range	4.5 -14.0V	
Output Voltages	0.69 - 5.5V	
Max. Output Current	12A	

Feature Descriptions

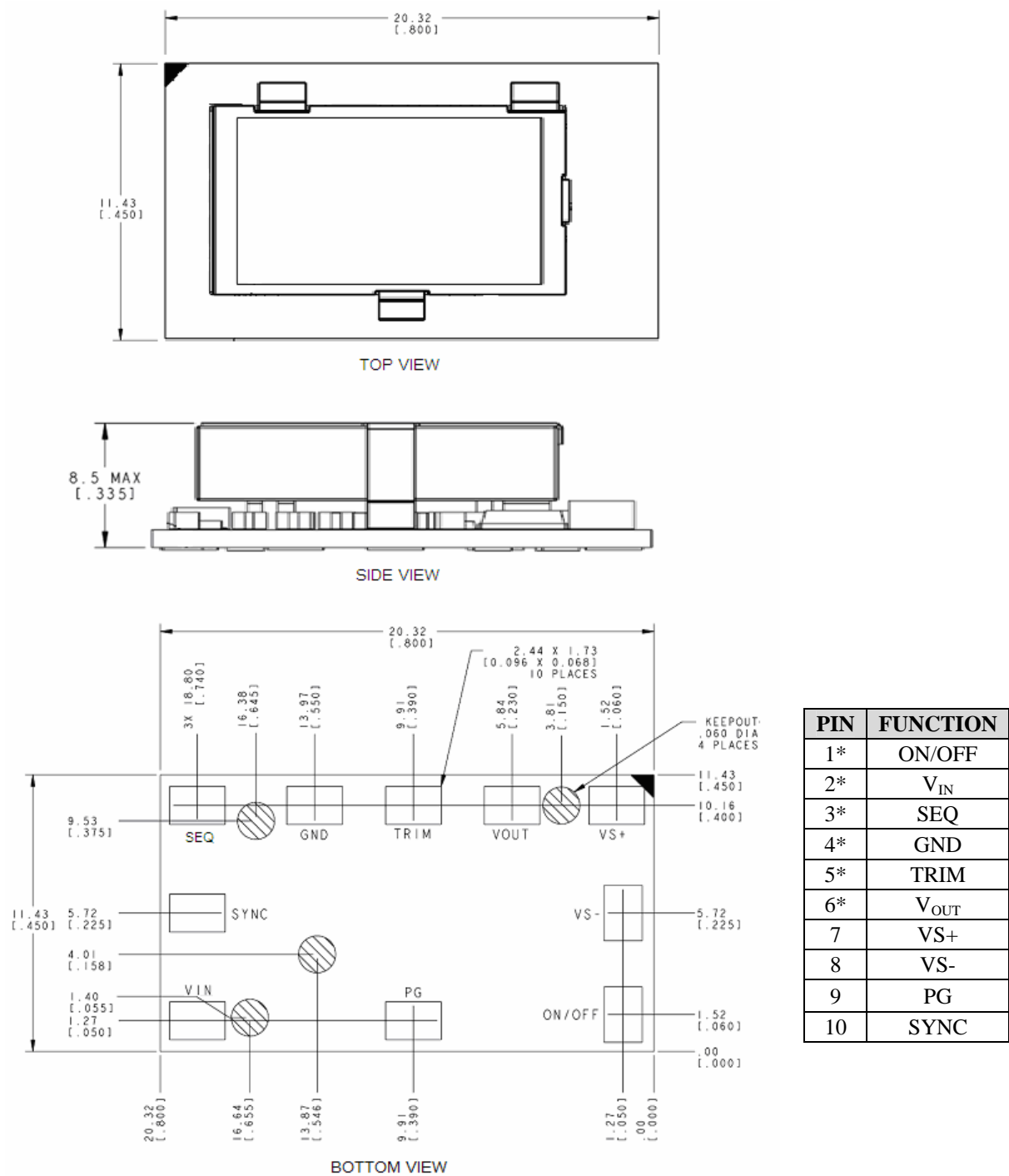
Feature	Description	Notes
On/Off Logic	Positive/Negative	
Turn-on Delay time	7mS (max)	Enable to 10%Vout
Turn-On Rise Time	7mS (max)	10%-90% Vout
Input Under Voltage Lockout	Auto recovery	
Output Overcurrent Protection	Auto recovery	
Over Temperature Protection	Auto recovery	
Trim Equation	$R_{trim} = \left[\frac{6.9}{(V_o - 0.69)} \right] k\Omega$ <p><small>Rtrim is the external resistor in kΩ, and V_o is the desired output voltage.</small></p>	Programmable Output Voltage with Resistor
Remote Sense	0.5V max drop	
Sequencing	Optional Feature	
Power Good	Optional Feature	
Frequency Synchronization	Optional Feature	

Mechanical Specifications

Dimensions are in millimeters and [inches].

Tolerances: $x.x \text{ mm} \pm 0.5 \text{ mm}$ [$x.xx \text{ in.} \pm 0.02 \text{ in.}$] (unless otherwise indicated)

$x.xx \text{ mm} \pm 0.25 \text{ mm}$ [$x.xxx \text{ in.} \pm 0.010 \text{ in.}$]



PIN	FUNCTION
1*	ON/OFF
2*	V _{IN}
3*	SEQ
4*	GND
5*	TRIM
6*	V _{OUT}
7	VS+
8	VS-
9	PG
10	SYNC

* Location, spacing, and numbering of these pins conforms to First Generation DOSA Standard Specification: Non-Isolated 9.6 – 14.4V_{in}, 5/6A DC/DC Converter, (DOSA Doc.#: S01206-A).