



**DOSA Standard Specification**

**Product Name:** Non-Isolated, Next Generation, High Density 4.5-14V<sub>in</sub>, 3/6A DC/DC Converter

**Last Updated:** April 20, 2007

### General Specifications

Parameter	Specification	Notes
Input Voltage Range	4.5 -14.0V	
Output Voltages	0.59 - 5.5V	
Max. Output Current	3/6A	

### Feature Descriptions

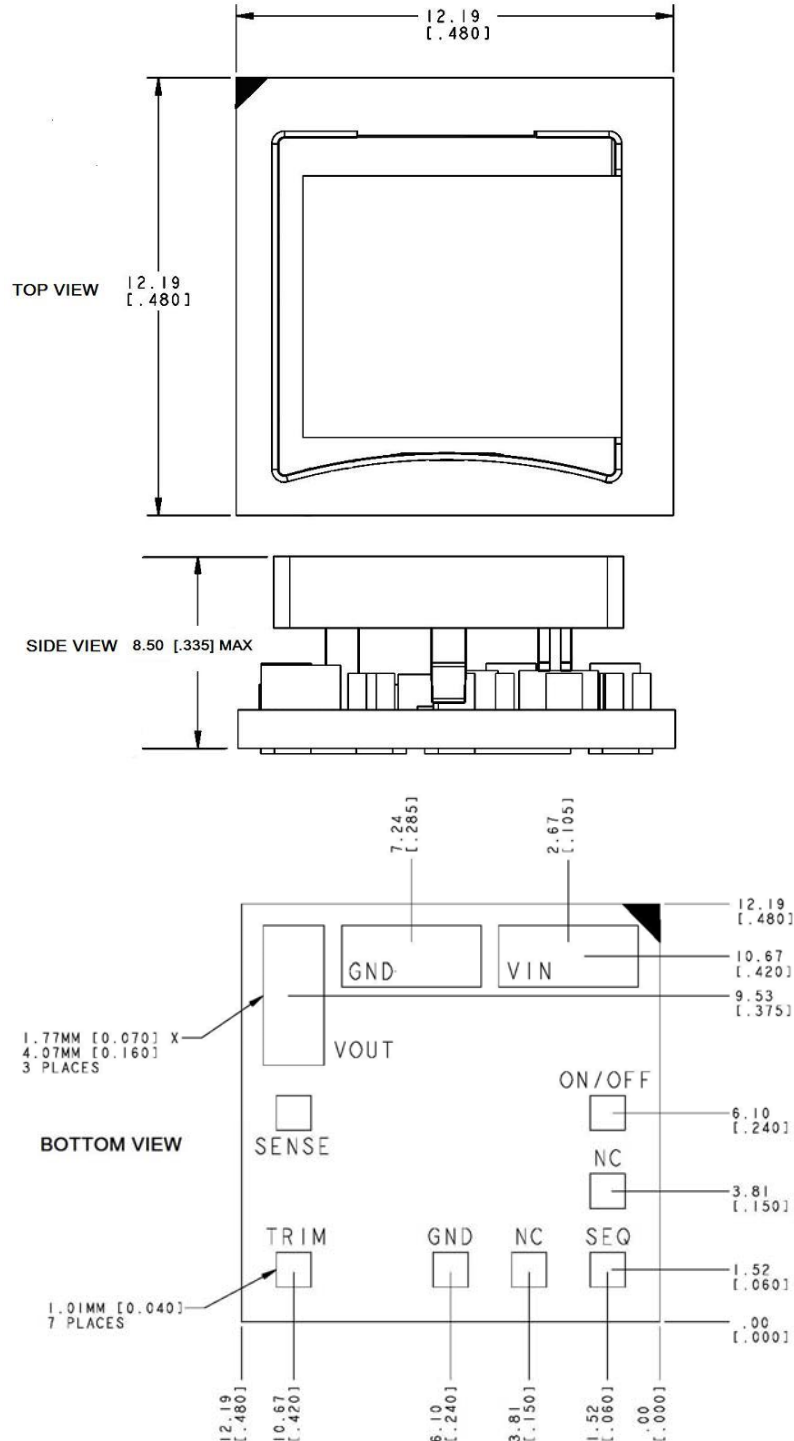
Feature	Description	Notes
On/Off Logic	Positive/Negative	
Turn-on Delay time	7mS (max)	Enable to 10%Vout
Turn-On Rise Time	7mS (max)	10%-90% Vout
Input Under Voltage Lockout	Auto recovery	
Output Overcurrent Protection	Auto recovery	
Over Temperature Protection	Auto recovery	
Trim Equation	$R_{trim} = \left[ \frac{5.91}{(V_o - 0.59)} \right] k\Omega$ <p>Rtrim is the external resistor in kΩ  V<sub>o</sub> is the desired output voltage.</p>	Programmable Output Voltage with Resistor
Remote Sense	0.5V max drop	+Vout only
Sequencing	Optional Feature	
Power Good	Optional Feature	

## Mechanical Specifications

Dimensions are in millimeters and [inches].

Tolerances: x.x mm ± 0.5 mm [x.xx in. ± 0.02 in.] (unless otherwise indicated)

x.xx mm ± 0.25 mm [x.xxx in. ± 0.010 in.]



PIN	FUNCTION
1	ON/OFF
2	VIN
3	GND
4	VOUT
5	SENSE
6	TRIM
7	GND
8	NC
9	SEQ
10	PGOOD

Pins and Pads for #7, 8, 9, and 10 required to balance solder tension to keep module level on motherboard.