



DOSA Standard Specification

Product Name: Second Generation, High Density, Non-Isolated 2.4-5.5V_{in}, 20A DC/DC Converter

Last Updated: May 4, 2007

General Specifications

Parameter	Specification	Notes
Input Voltage Range	2.4-5.5V	
Output Voltages	0.6 – 3.63V	
Max. Output Current	20A	

Feature Descriptions

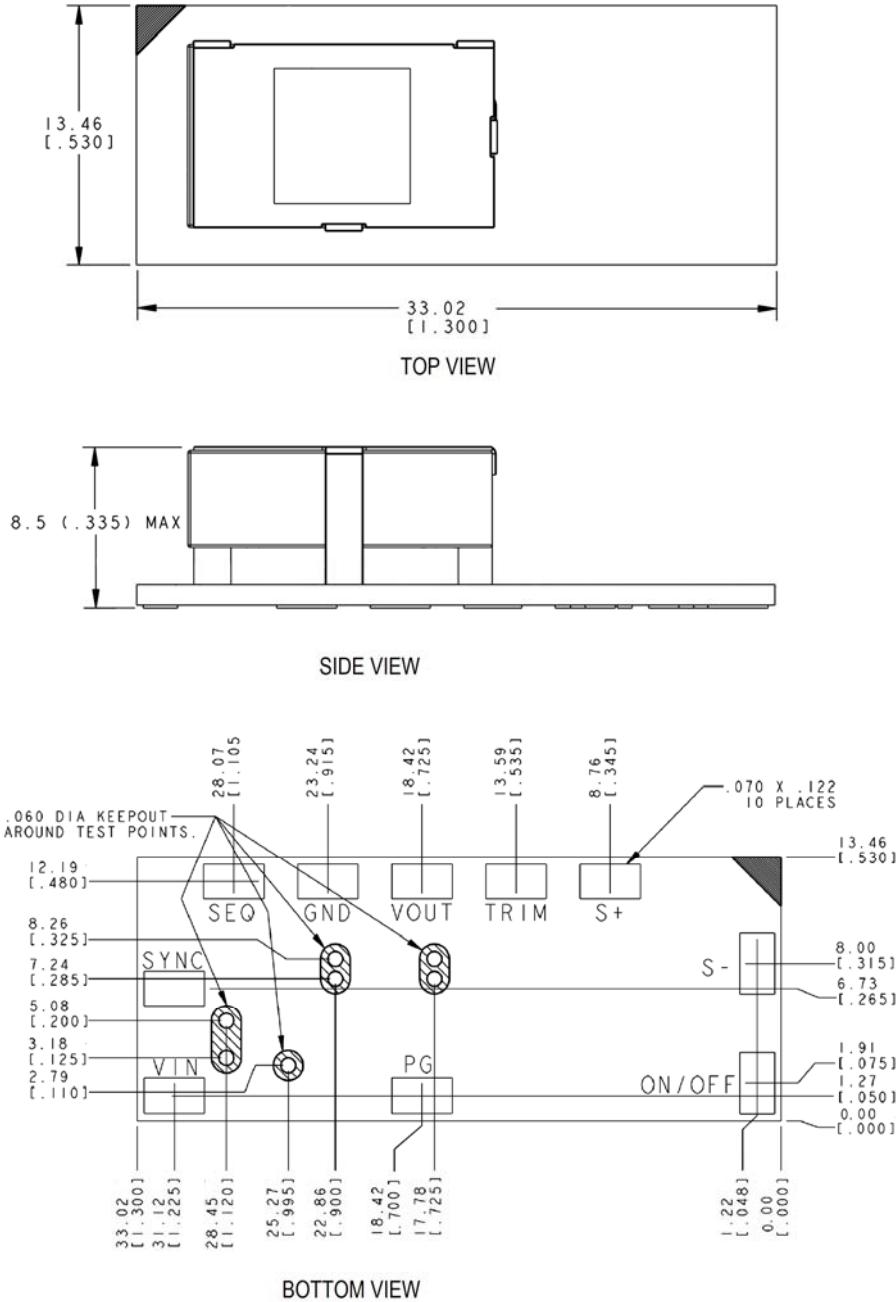
Feature	Description	Notes
On/Off Logic	Positive/Negative	
Turn-on Delay time	7mS (max)	Enable to 10%Vout
Turn-On Rise Time	7mS (max)	10%-90% Vout
Input Under Voltage Lockout	Auto recovery	
Output Overcurrent Protection	Auto recovery	
Over Temperature Protection	Auto recovery	
Trim Equation	$R_{trim} = \left[\frac{1.2}{(V_o - 0.6)} \right] k\Omega$ <p><small>R_{trim} is the external resistor in kΩ, and V_o is the desired output voltage.</small></p>	Programmable Output Voltage with Resistor
Remote Sense	0.5V max drop	
Sequencing	Optional Feature	
Power Good	Optional Feature	
Frequency Synchronization	Optional Feature	

Mechanical Specifications

Dimensions are in millimeters and [inches].

Tolerances: x.x mm ± 0.5 mm [x.xx in. ± 0.02 in.] (unless otherwise indicated)

x.xx mm ± 0.25 mm [x.xxx in. ± 0.010 in.]



PIN	FUNCTION
1*	ON/OFF
2*	V _{IN}
3*	SEQ
4*	GND
5*	V _{OUT}
6*	TRIM
7*	S+
8	S-
9	PGOOD
10	SYNC

* Location, spacing, and numbering of these pins conforms to First Generation DOSA Standard Specification: Non-Isolated 3.0-5.5V_{in}, 10A DC/DC Converter, (DOSA Doc.#: S03310-A).