



DOSA Standard Specification

Product Name: Third Generation, High Density, Non-Isolated PICO Converter

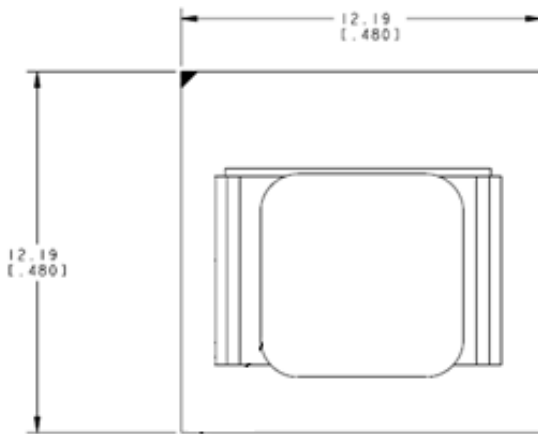
Last Updated: August 12, 2010

Mechanical Specifications – Digital/Analog Modules

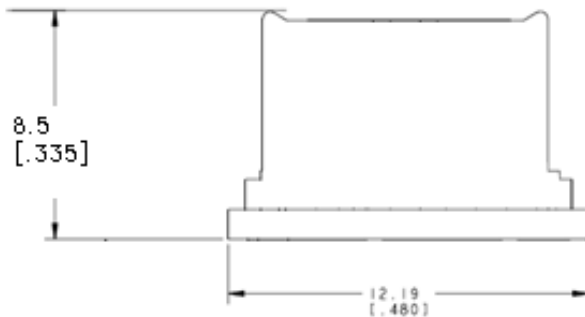
Dimensions are in millimeters and [inches].

Tolerances: x.x mm ± 0.5 mm [x.xx in. ± 0.02 in.] (unless otherwise indicated)

x.xx mm ± 0.25 mm [x.xxx in ± 0.010 in.]



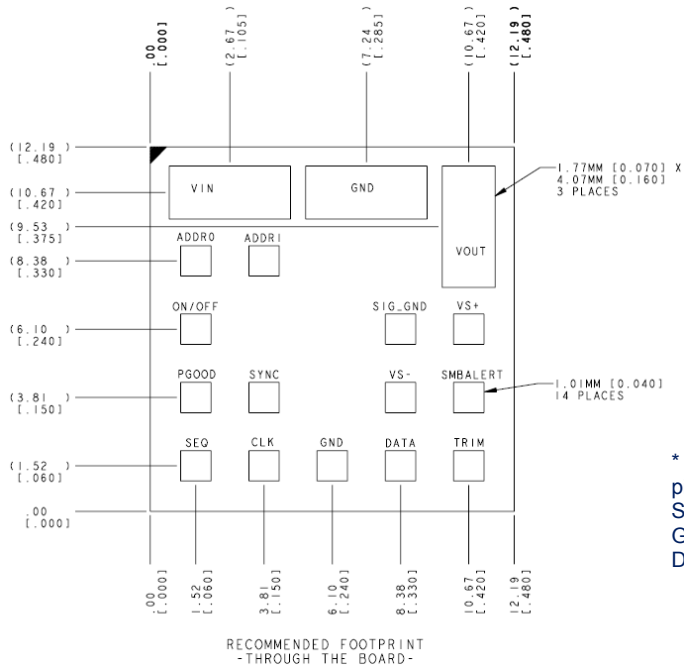
TOP VIEW



PIN	FUNCTION	PIN	FUNCTION
1*	ON/OFF	10*	PGOOD/ NC ⁺
2*	VIN	11	SYNC/ NC ⁺
3*	GND	12	VS-/ NC ⁺
4*	VOUT	13	SIG_GND/ NC ⁺
5*	VS+ (SENSE)/ NC ⁺	14	SMBALERT/ NC ⁺
6*	TRIM	15	DATA/ NC ⁺
7*	GND	16	ADDR0/ NC ⁺
8	CLK/NC ⁺	17	ADDR1/ NC ⁺
9*	SEQ/NC ⁺		

+ Pin function is NC if feature not equipped

Distributed-power Open Standards Alliance (DOSA) Standard Specification Document



* Location, spacing, and numbering of these pins conforms to Second Generation DOSA Standard Specification: Non-Isolated, Next Generation, High Density 4.5-14Vin, 3/6A DC/DC Converter (DOSA Doc.#:S05006-A).